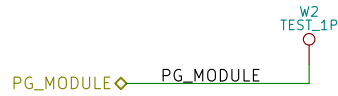


PWR\_EN is pulled up to 5V on MicroZed by 10K R87

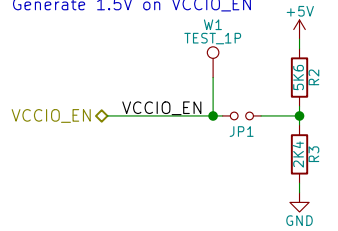
PWR\_ENABLE:  
Vlmax = 0.3V  
Vhmin = 0.9V

VCCIO\_EN pulled up to 1.5V by 1K/4K99 voltage divider (from 1.8V). Maximal Iol is thus 1.8mA -> Vol < 0.2V (MCP120 datasheet, Figure 2-6)

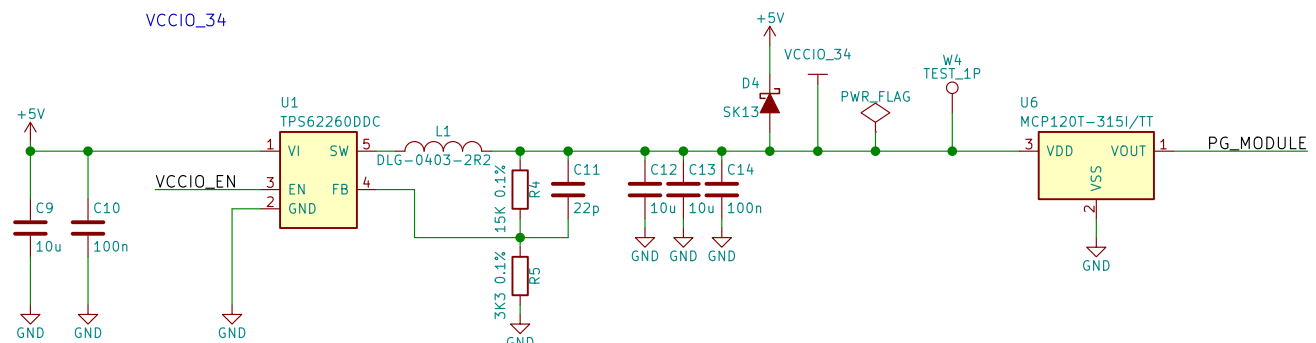
LM2676 has internal pull-up 20uA on ON/OFF



Power output testing without MicroZed inserted  
Generate 1.5V on VCCIO\_EN

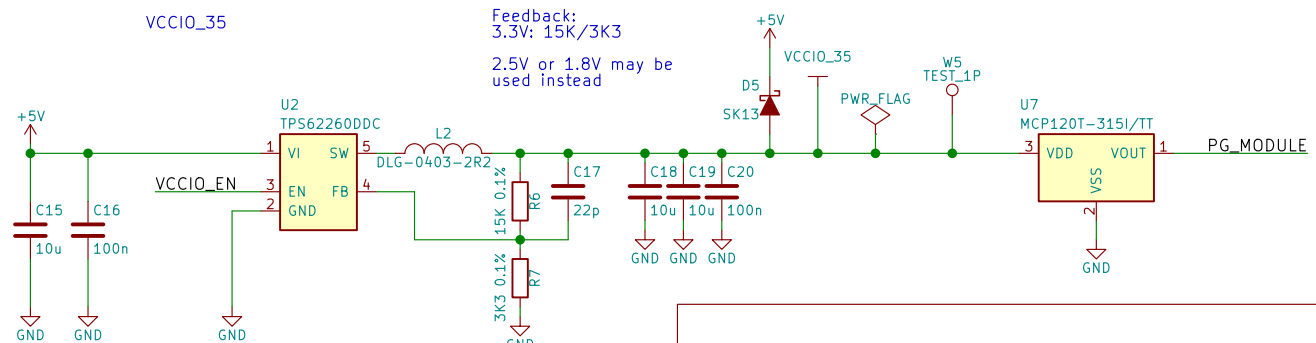


VCCIO\_34

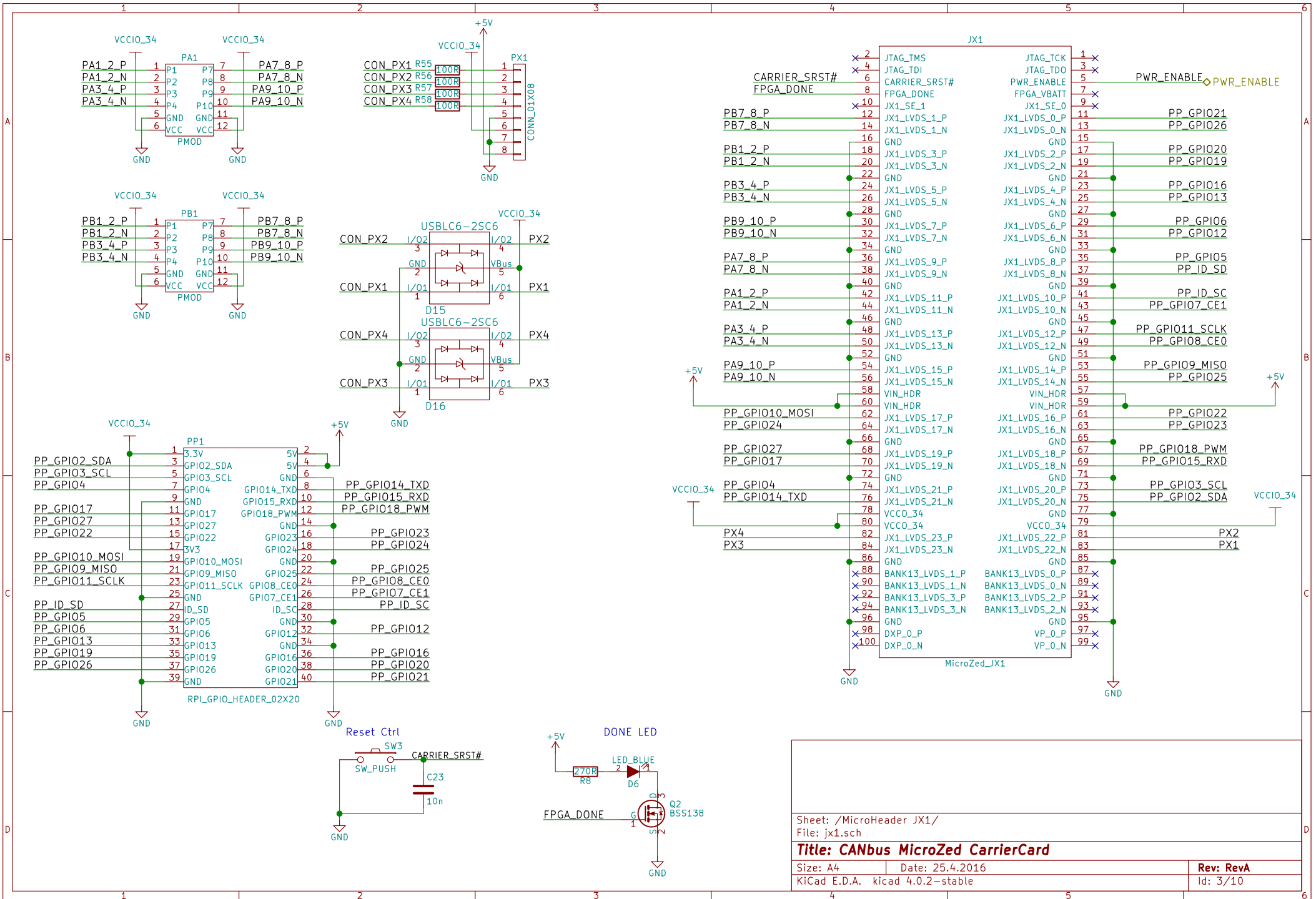


Feedback:  
3.3V: 15K/3K3  
2.5V or 1.8V may be used instead

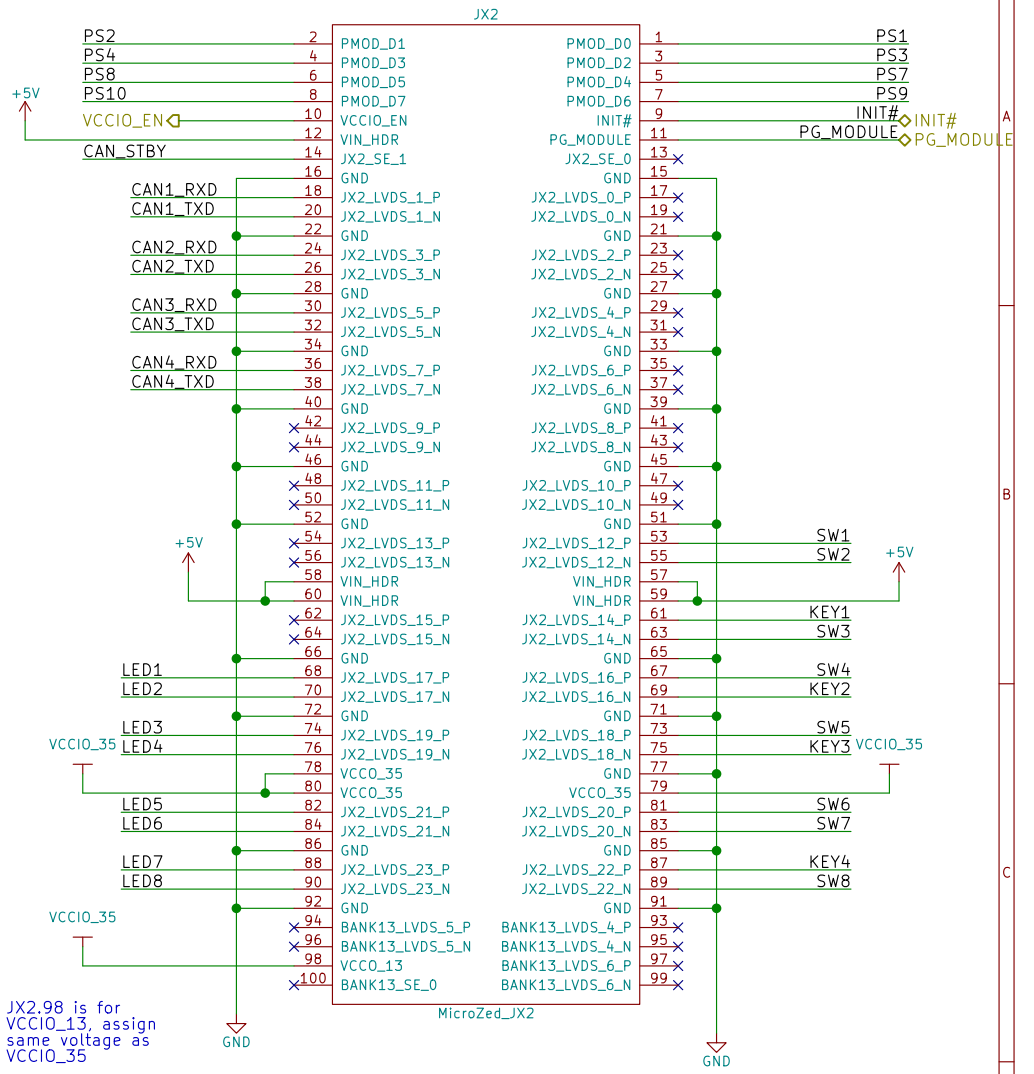
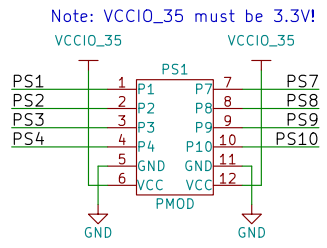
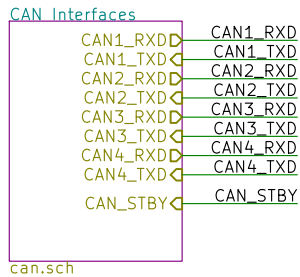
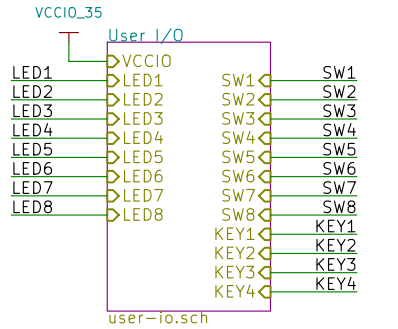
VCCIO\_35



Sheet: /Power/		File: power.sch	
<b>Title: CANbus MicroZed CarrierCard</b>			
Size: A4	Date: 25.4.2016	Rev: RevA	
KiCad E.D.A. kicad 4.0.2-stable		Id: 2/10	



Sheet: /MicroHeader JX1/  
 File: jx1.sch  
**Title: CANbus MicroZed CarrierCard**  
 Size: A4 Date: 25.4.2016 Rev: RevA  
 KiCad E.D.A. kicad 4.0.2-stable Id: 3/10

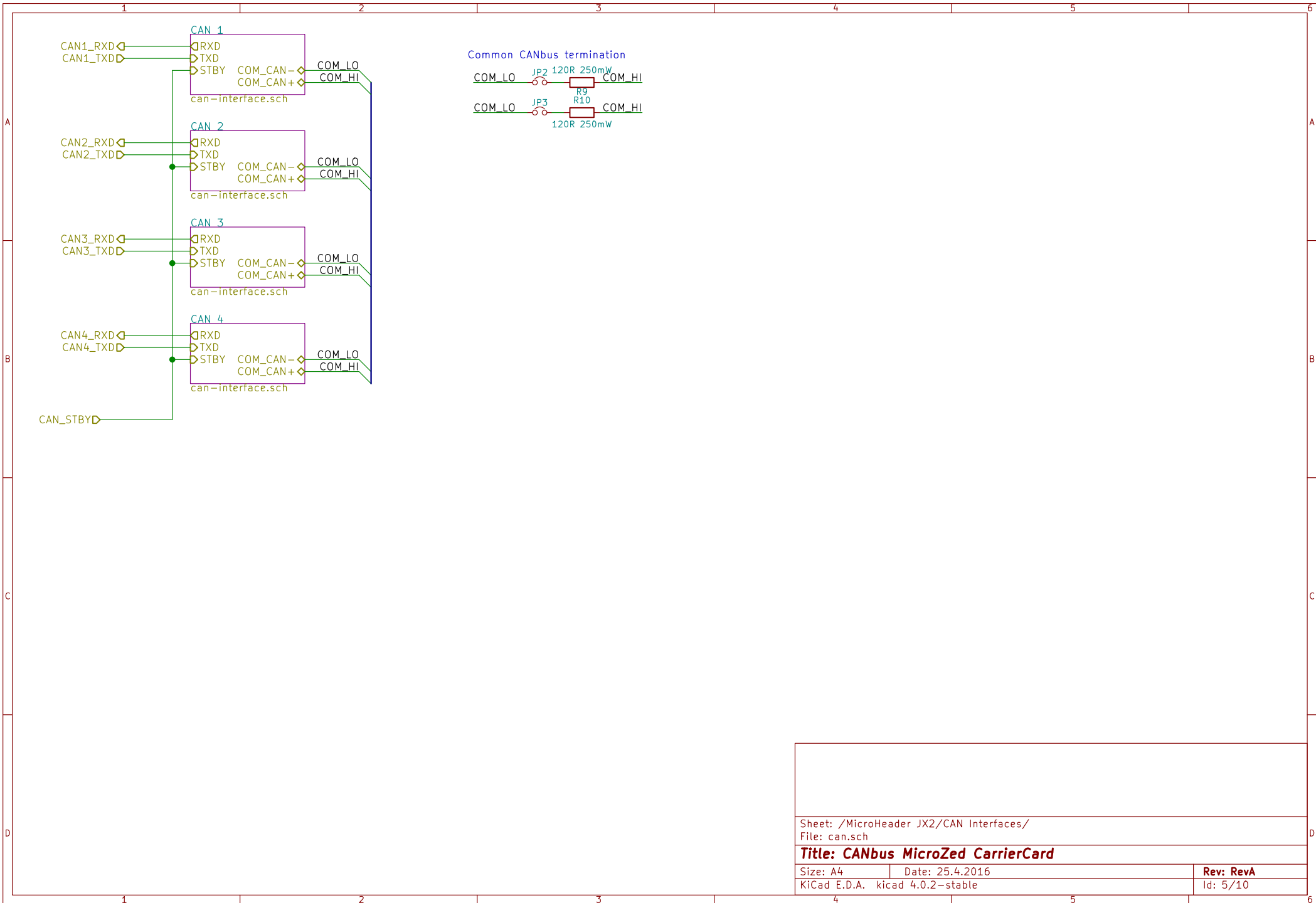


JX2.98 is for VCCIO\_13, assign same voltage as VCCIO\_35

Sheet: /MicroHeader JX2/  
File: jx2.sch

**Title: CANbus MicroZed CarrierCard**

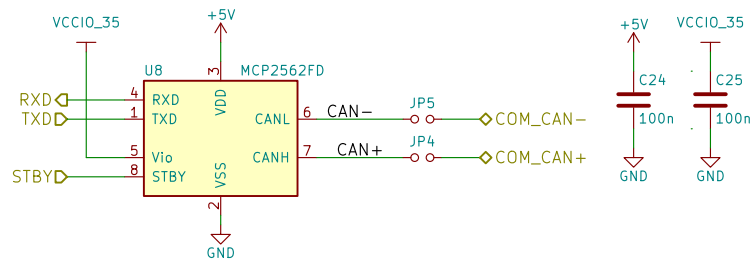
Size: A4	Date: 25.4.2016	Rev: RevA
KiCad E.D.A. kicad 4.0.2-stable		Id: 4/10



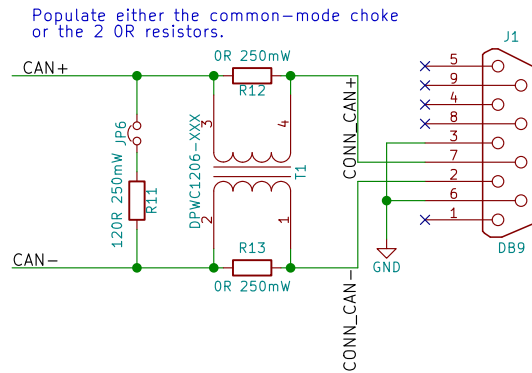
Sheet: /MicroHeader JX2/CAN Interfaces/  
 File: can.sch

**Title: CANbus MicroZed CarrierCard**

Size: A4	Date: 25.4.2016	Rev: RevA
KiCad E.D.A. kicad 4.0.2-stable		Id: 5/10



When high-speed CAN FD (8Mbit) is desired, the jumpers (if open) might cause unbearable signal reflections and might need to be depopulated.



Populate either the common-mode choke or the 2 0R resistors.

Sheet: /MicroHeader JX2/CAN Interfaces/CAN 1/  
File: can-interface.sch

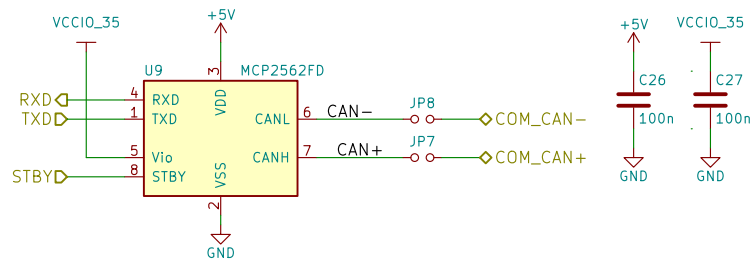
**Title: CANbus MicroZed CarrierCard**

Size: A4 Date: 25.4.2016

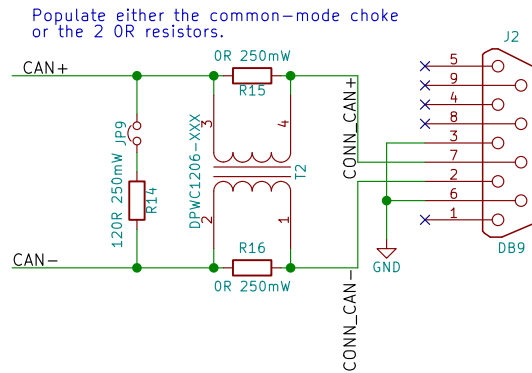
KiCad E.D.A. kicad 4.0.2-stable

Rev: RevA

Id: 6/10



When high-speed CAN FD (8Mbit) is desired, the jumpers (if open) might cause unbearable signal reflections and might need to be depopulated.



Populate either the common-mode choke or the 2 0R resistors.

Sheet: /MicroHeader JX2/CAN Interfaces/CAN 2/  
File: can-interface.sch

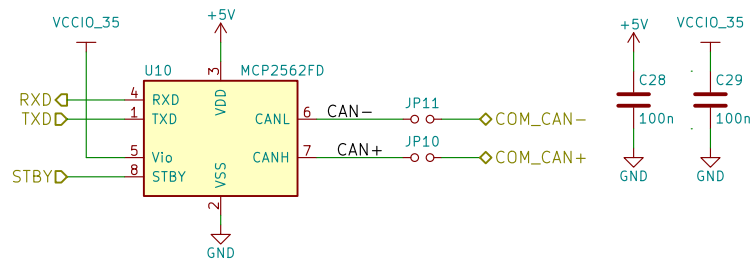
**Title: CANbus MicroZed CarrierCard**

Size: A4 Date: 25.4.2016

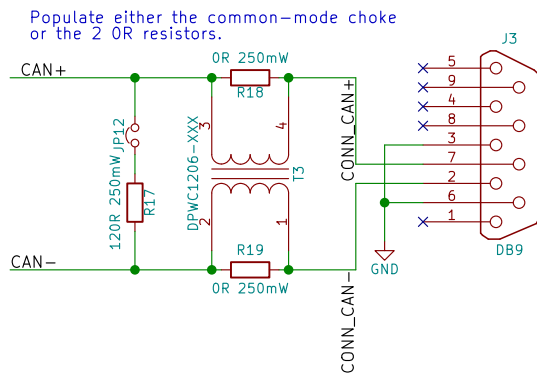
KiCad E.D.A. kicad 4.0.2-stable

Rev: RevA

Id: 7/10



When high-speed CAN FD (8Mbit) is desired, the jumpers (if open) might cause unbearable signal reflections and might need to be depopulated.



Populate either the common-mode choke or the 2 0R resistors.

Sheet: /MicroHeader JX2/CAN Interfaces/CAN 3/  
File: can-interface.sch

**Title: CANbus MicroZed CarrierCard**

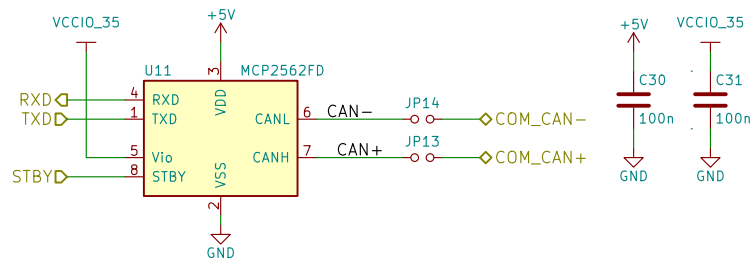
Size: A4 Date: 25.4.2016

KiCad E.D.A. kicad 4.0.2-stable

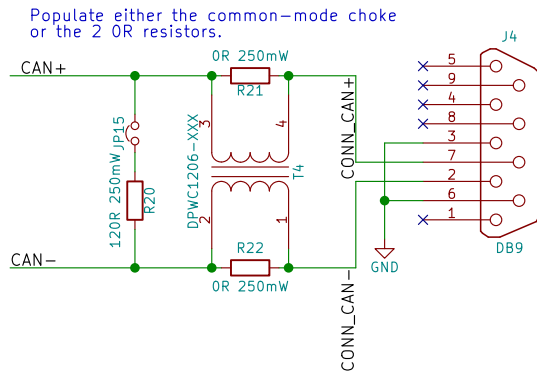
Rev: RevA

Id: 8/10





When high-speed CAN FD (8Mbit) is desired, the jumpers (if open) might cause unbearable signal reflections and might need to be depopulated.



Populate either the common-mode choke or the 2 0R resistors.

Sheet: /MicroHeader JX2/CAN Interfaces/CAN 4/  
File: can-interface.sch

**Title: CANbus MicroZed CarrierCard**

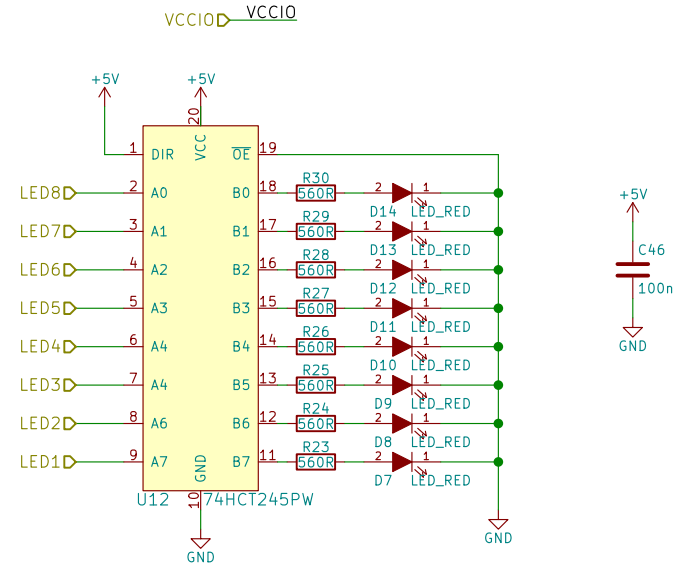
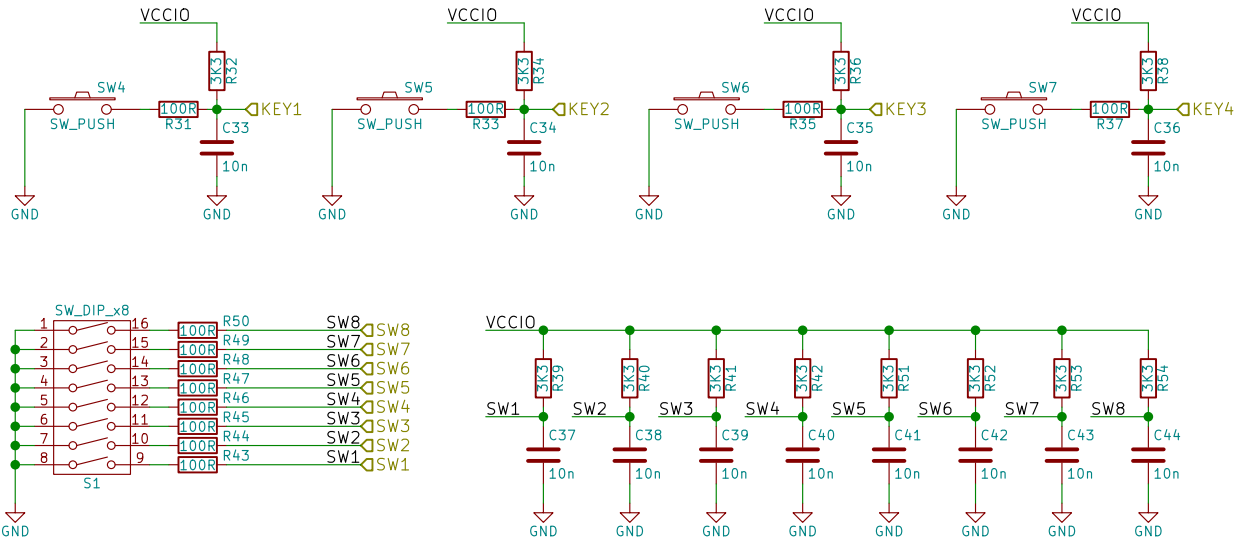
Size: A4 Date: 25.4.2016

KiCad E.D.A. kicad 4.0.2-stable

Rev: RevA

Id: 9/10

# User LEDs



Sheet: /MicroHeader JX2/User I/O/  
File: user-io.sch

## Title: CANbus MicroZed CarrierCard

Size: A4 Date: 25.4.2016  
KiCad E.D.A. kicad 4.0.2-stable

Rev: RevA  
Id: 10/10